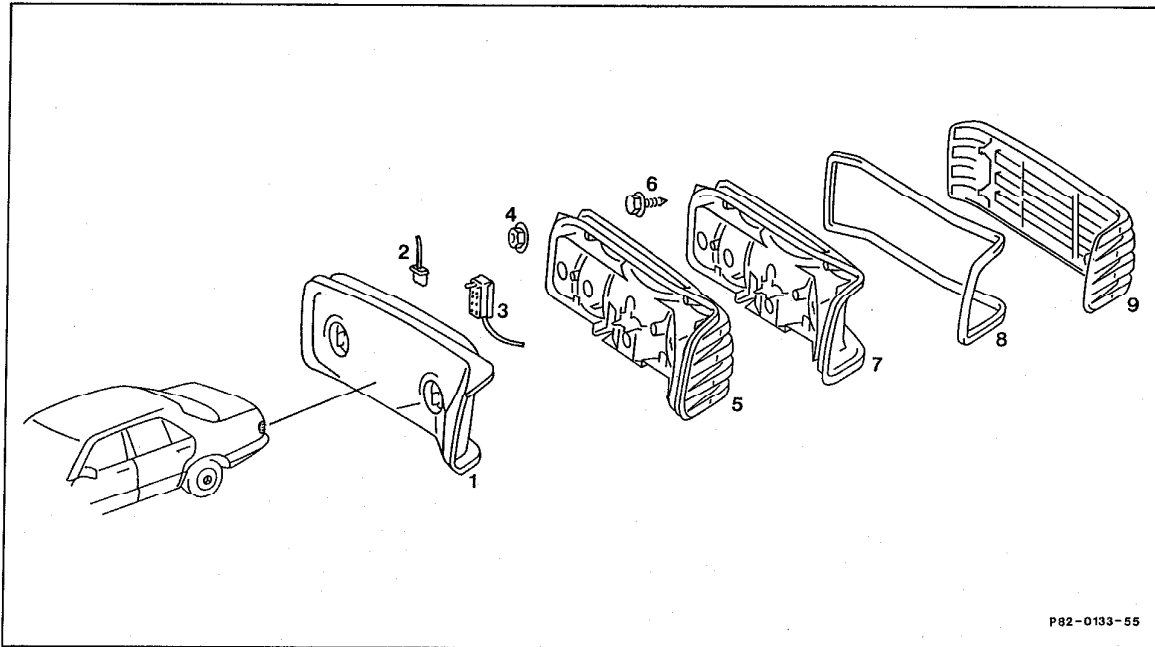


82-0252 R and R rear lamp



P82-0133-55

P82-0133-55

Lamp holder (1)	unlock and remove, refit and lock.
Electrical connections (2 and 3)	pull off, refit.
6 mounting nuts (4)	unscrew, screw in.

Note

Start rear lamp and push towards the vehicle center. Start the two outer nuts and tighten lightly. Start the remaining four nuts and tighten all six nuts beginning from the outside.

Rear lamp (5)	remove to the inside, insert.
6 mounting screws (6)	screw out, screw in.
Reflector (7)	from light window (9) remove, insert.
Gasket (8)	